

R / SG

for Plate Heat
Exchangers



alkitronic[®]

designed for your needs

Applications

- Continuous rotation tightening or loosening of spindles or long threaded bolts. Ideal operational areas are bolting connections on plate heat exchangers
- Torque range of the pneumatic driven types:
alkitronic[®] *RCL* 2 gear torque multiplier with radial gearing from 590 Nm - 4,840 Nm
alkitronic[®] *CLS-SG* with tangential gearing from 1,280 Nm - 3,780 Nm
- Torque range of the electric drives types:
alkitronic[®] *EF-R* / *EFCip-R* / *EF-SG* / *EFCip-SG* from 560 Nm - 3,780 Nm

Advantages

- Load-free operation with short assembly time
- Fast and simultaneous tightening of large plate packs when using two or more torque multipliers diagonally
- Targeted types for convenient working in every tightening situation
- *alkitronic*[®] *RCL* with fast gear for turning in and simple, quick switching to power gear

alkitronic[®] specials

- Simple 1-finger operation for quick, safer work
- Considerable time saving during permanent operation (optional with *RCL* and *CLS-SG*)
- Radial gearing (*R*) with high-performance worm-drive
- Tangential gearing (*SG*) with highly efficient spur gear
- Robust motor and gear housing of cast aluminium

Specifications

Pneumatic driven Models:

Prerequisites for best work and the indicated torques are an operating pressure of 2-7 bar at a volume flow of approx. 10-15 l/s. The torque accuracy depends on the stability of the supply system.

Electric driven Models:

Repeat shut-off accuracy $\pm 3\%$ for the same bolting application
Universal AC Input 100 V - 253 V, frequency 45 Hz - 66 Hz
Power max. 2000 W, protection category I. Protection class IP 54 with models *EFCip* (standard), *EF* models optional.



Product info Remote Control

alkitronic[®] *CLV*

Model range with convenient remote control and individual pneumatic drive. When using several torque multipliers with radial (*R*) or tangential (*SG*) gearing, large plate packs can be tightened fast, simultaneously and evenly.

For highly efficient bolting connections with one or up to four *alkitronic*[®] torque multipliers, preconfigured *alkitronic*[®] remote systems are already available.

For the electric types we recommend i.e. the *alkitronic*[®] *FB-EF* remote control, cable-based with a transmission length of 5m.

We will gladly provide you with comprehensive information on this.

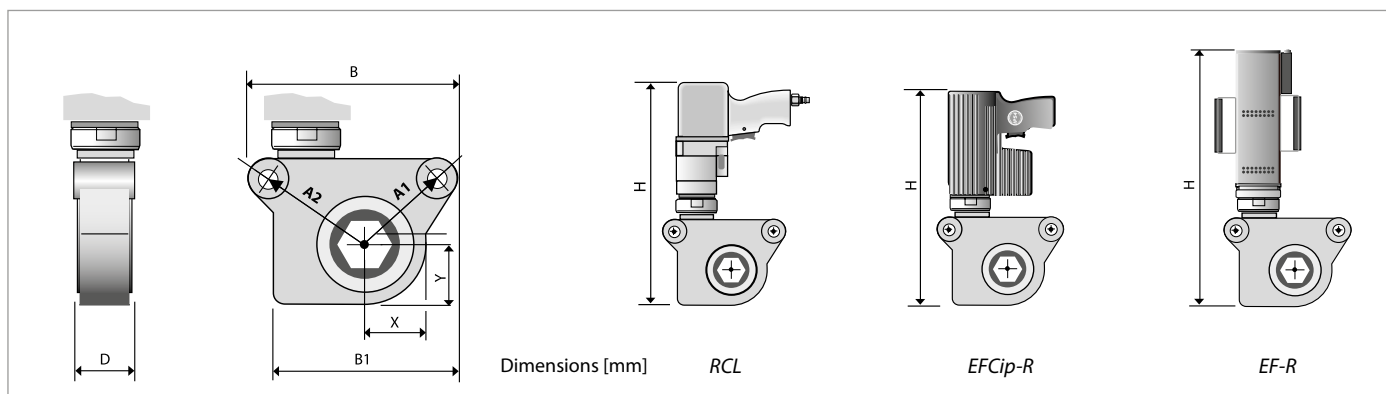


Image above: PWT of Alfa Laval
Images on the right:
alkitronic[®] *CLS-SG* and *RCL* in operation on plate heat exchangers.



Technical Data

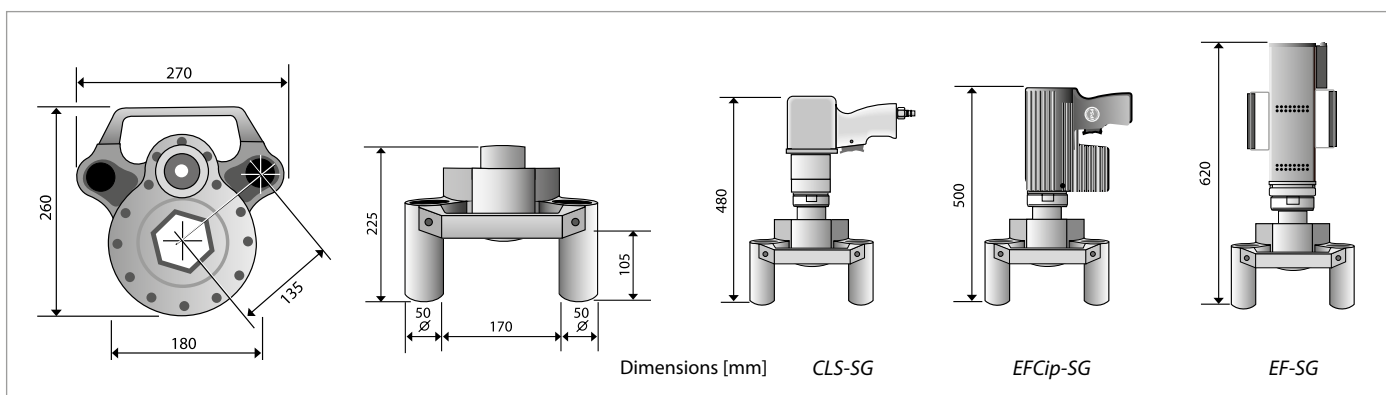
alkitronic® Radial Gearing (R)



Radial Gearing Models		Pneumatic drive			Electric drive					
		RCL			EFCip-R			EF-R		
Type		RCL 36	RCL 46	RCL 80	EFCip-R 36	EFCip-R 46	EFCip-R 80	EF-R 36	EF-R 46	EF-R 80
Torque range 2nd gear (approx.)	Nm	590-1730	630-1850	670-1975						
Torque range 1st gear (approx.)	Nm	1440-4235	1545-4535	1645-4840	560-3780	560-3780	560-3780	560-3780	560-3780	560-3780
Spanner width	mm	36	46	80	36	46	80	36	46	80
Height (approx.)	H mm	400	435	450	385	425	475	500	550	600
Width (approx.)	B/B1 mm	230/190	252/215	325/-	230/190	252/215	325/-	230/190	252/215	325/-
Bolt distance (approx.)	A1/A2 mm	100/128	112/145	156/194	100/128	112/145	156/194	100/128	112/145	156/194
Dimensions (approx.)	X/Y mm	56/56	75/75	98/98	56/56	75/75	98/98	56/56	75/75	98/98
Dimension (approx.)	D mm	90	94	94	90	94	94	90	94	94
Weight (approx.)	kg	12	12.5	20	12	14.5	21	16	14.5	24.5
Idle speed (approx.)	rpm	1	1	2	8	7	7	10	9	9
Idle speed 2nd gear (approx.)	rpm	3	3	6	-	-	-	-	-	-

When loosening a bolted connection, up to 20% higher torque may be required (loosening torque). We will gladly advise you in detail.

alkitronic® Tangential Gearing (SG)



Tangential Gearing Models		Pneumatic drive		Electric drive			
		CLS-SG		EFCip-SG		EF-SG	
Type		CLS-SG 65	CLS-SG 80	EFCip-SG 65	EFCip-SG 80	EF-SG 65	EF-SG 80
Torque range (approx.)	Nm	1280-3780	1280-3780	560-3780	560-3780	560-3780	560-3780
Spanner width	mm	65	80	65	80	65	80
Weight (approx.)	kg	17	17	19	19	22	22
Idle speed (approx.)	rpm	3.5	3.5	6	6	10	10

alkitronic® provides all drive technologies.

Extract from our product range:

✓ **ELECTRIC**



✓ **PNEUMATIC**



✓ **HYDRAULIC**



✓ **MANUAL**



alkitronic®

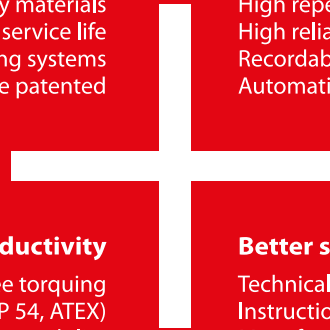
YOUR PLUS FOR MORE PERFORMANCE

Greater Quality

First-class production
Use of high-quality materials
Long product service life
30 years of experience in bolting systems
Made in Germany – worldwide patented

Greater Precision

Accurate and customized torque
High repeated accuracy
High reliability in continuous operation
Recordable tightening outputs
Automatic shut-off



Greater Productivity

Fast error-free torquing
Hazardous Area Rated (IP 54, ATEX)
Worldwide power supply compatibility
Safe operation – easy instruction
Low maintenance and cost-efficient

Better service

Technical on site advice
Instruction and training courses
Manufacturer's calibration and certification
Lifecycle maintenance
Spares and repair service

TORQUE POWER WORLDWIDE

alki TECHNIK GmbH

Development, Production and Distribution of Bolting Systems

Unterlettenweg 4 – D-85051 Ingolstadt – fon +49 841 97499-0 – fax +49 841 97499-90
info@alkitronic.com – www.alkitronic.com